

J12		
Auxiliary LCD Panel Power Supply		
Mate with	Pin n.	Function
Molex 51021-0600	1	Aux LCD P. S.
	2	Aux LCD P. S.
	3	Aux LCD P. S.
	4	GND
	5	GND
	6	GND

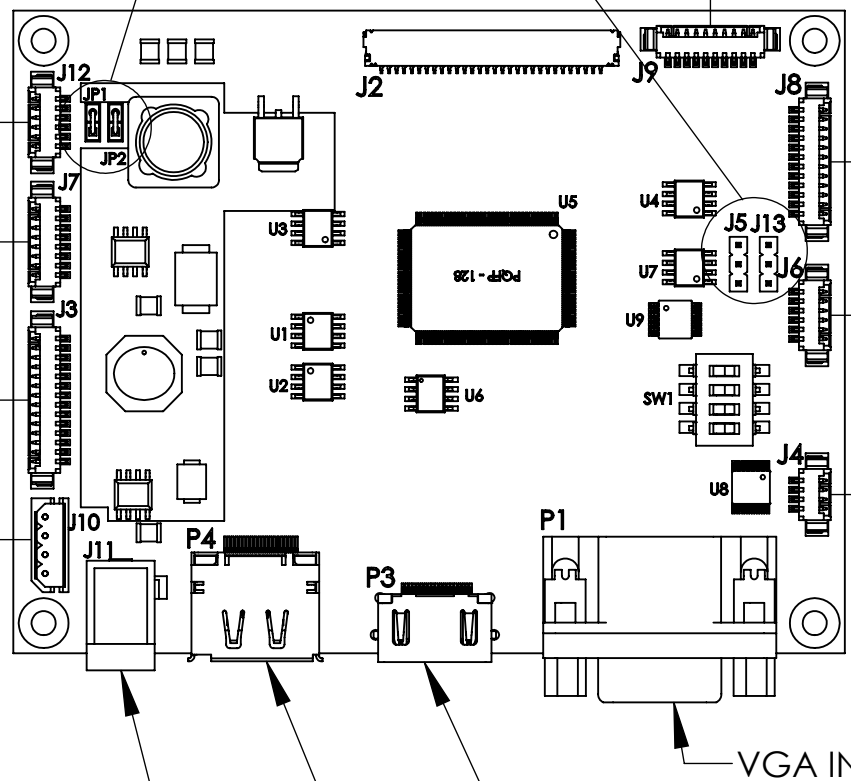
LCD POWER SUPPLY		
JP1 Closed	JP2 Closed	3.3 VDC
JP1 Open	JP2 Closed	5 VDC
JP1 Open	JP2 Open	12 VDC

BACKLIGHT DIMMING	
J5	J13
Analog 0 ~ 3.3 V	100 --- 0 (Inverted)
Digital PWM	0 --- 100 (Normal)

J7		
Fans Connector		
Mate with	Pin n.	Function
Molex 51021-0800	1	12-24 VDC
	2	12-24 VDC
	3	12-24 VDC
	4	12-24 VDC
	5	GND
	6	GND
	7	GND
	8	GND

J3		
Output to Inverter		
Mate with	Pin n.	Function
Molex 51021-1400	1	GND
	2	Backlight Dimming Analog 0 ~ 3.3 V Digital PWM
	3	GND
	4	ON (3.3 V) - OFF (0 V)
	5	GND
	6	GND
	7	GND
	8	GND
	9	GND
	10	12-24 VDC
	11	12-24 VDC
	12	12-24 VDC
	13	12-24 VDC
	14	12-24 VDC

J10		
Internal DC Input		
Mate with	Pin n.	Function
Molex 50-37-5043	1	12-24 VDC
	2	12-24 VDC
	3	GND
	4	GND



J9		
Analog and Digital I/O		
Mate with	Pin n.	Function
Molex 51021-1000	1	NTC10K@25°C
	2	GND
	3	3.3 VDC 300 mA MAX
	4	DRIVER TO GND 200 mA
	5	AUX I/O LVTTL
	6	I2CBUS SCL
	7	I2CBUS SDA
	8	NTC10K@25°C
	9	BPW77 COLLECTOR
	10	GND/BPW77 EMITTER

J8		
OSD Key Control		
Mate with	Pin n.	Function
Molex 51021-1200	1	SOURCE
	2	RESINC
	3	PLUS
	4	MINUS
	5	DOWN
	6	UP
	7	MENU
	8	STAND-BY
	9	5/3.3 V
	10	LED
	11	IR RECEIVER
	12	GND

J6		
Front Panel Board		
Mate with	Pin n.	Function
Molex 51021-0600	1	3.3 VDC OUT (100 mA)
	2	LED
	3	IR RECEIVER
	4	GND
	5	GND
	6	LIGHT SENSOR

J4		
Serial Com		
Mate with	Pin n.	Function
Molex 51021-0400	1	RX (RS232 Level)
	2	TX (RS232 Level)
	3	GND
	4	GND

J2		
Output to Panel Data (LVDS)		
Mate with	Pin n.	Function
Hirose DF19-30S- 1C	1	GND
	2	TXE3+
	3	TXE3-
	4	TXECLK+
	5	TXECLK-
	6	TXE2+
	7	TXE2-
	8	TXE1+
	9	TXE1-
	10	TXE0+
	11	TXE0-
	12	GND
	13	GND
	14	LCD Power Supply
	15	LCD Power Supply
	16	LCD Power Supply
	17	LCD Power Supply
	18	LCD Power Supply
	19	GND
	20	TXO3+
	21	TXO3-
	22	TXOCLK+
	23	TXOCLK-
	24	TXO2+
	25	TXO2-
	26	TXO1+
	27	TXO1-
	28	TXO0+
	29	TXO0-
	30	GND

	DATA	10/07/2012
	DESCRIZIONE	
VIN6038_rev1 Quick reference		
	NOME	DATA
DISegnATO	E. de Paula	13/04/2012
CONTROLLATO	A. Galli	13/04/2012
APPR. MECC.	E. de Paula	13/04/2012
Q.A.		
DISIGNO N°	SCALA 1:1	UNITA':
SOSTITUISCE IL N°	COPIA A:	FOGLIO 1 DI 1
SOSTITUITO DAL N°	N° COPIE	

A3 P/N VIN6038-DRW09 REV. 0