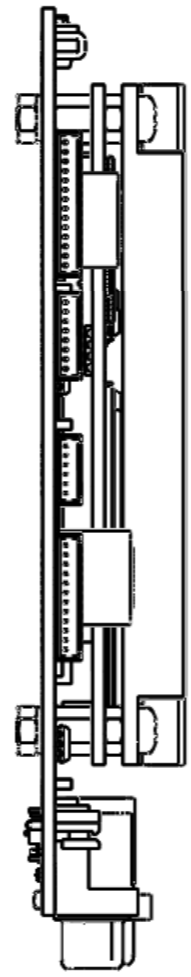
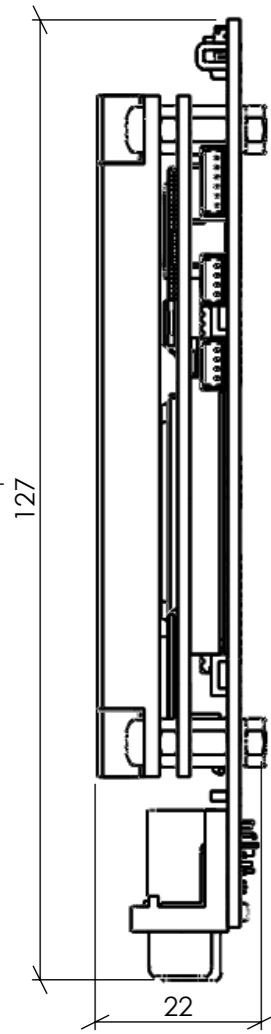
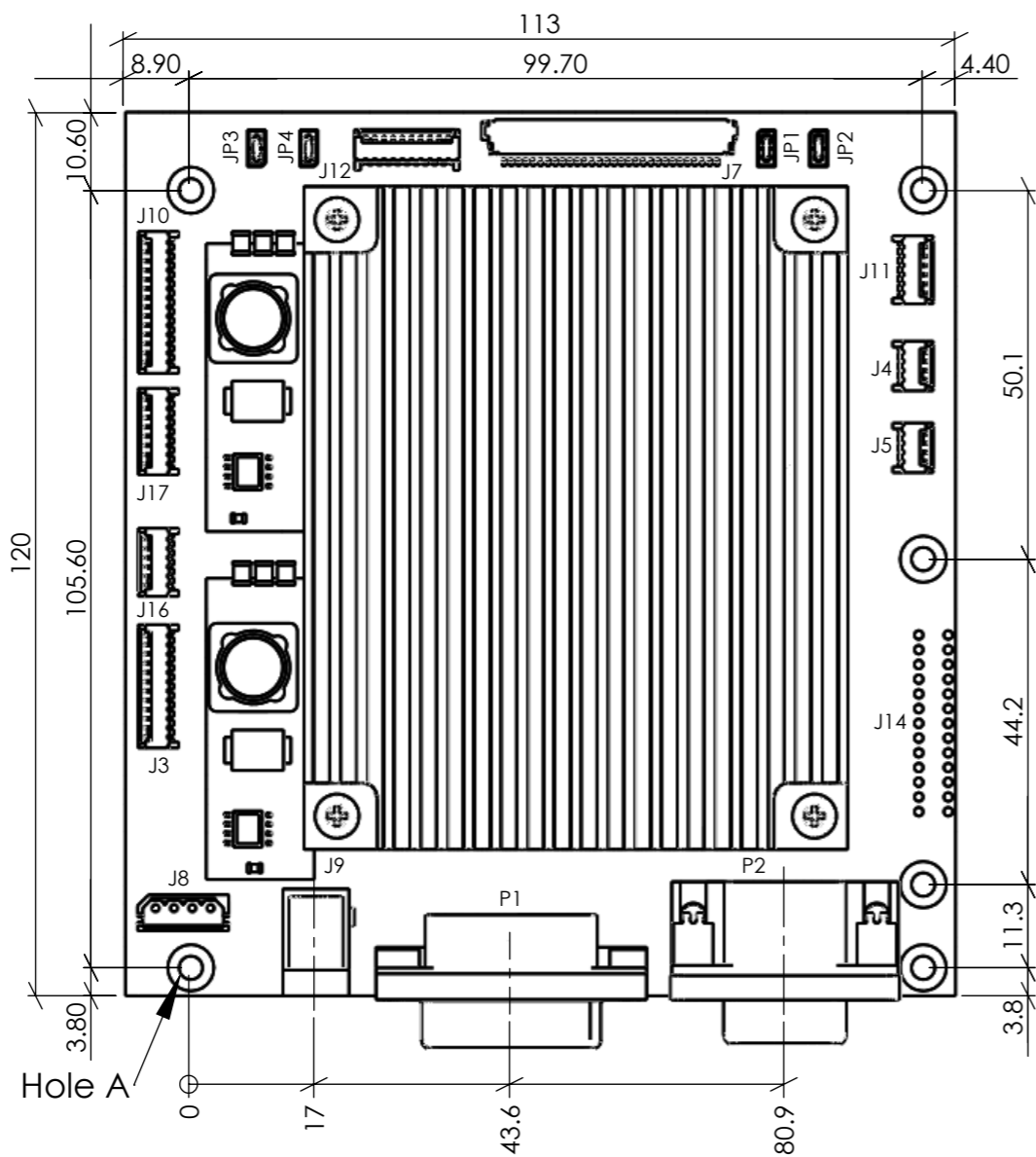
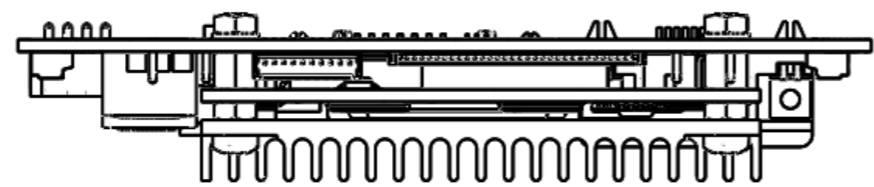


3-D View



N. 4 fixing hole M3



This drawing and the information in it are the property of New Digimatic s.r.l. and can not reproduced, copied, modified or used in part or whole without his permission. All dimensions are read and not misurated and are in millimeters unless otherwise indicated. For more information please contact New Digimatic s.r.l..

| | | | | |
|-------------------|-------------|-------------|-------------------------------------|------------|
| | | DATA | 28/02/2012 | |
| | | DESCRIZIONE | VIN338_BSC Mechanical dimensions | |
| | NOME | DATA | | |
| DISEGNATO | E. de Paula | 28/02/2012 | | |
| CONTROLLATO | A. Galli | 28/02/2012 | | |
| APPR. MECC. | E. de Paula | 28/02/2012 | | |
| Q.A. | | | | |
| DISEGNO N° | | SCALA | 1:1 | UNITA': mm |
| SOSTITUISCE IL N° | | FOGLIO | 1 DI 1 | |
| SOSTITUITO DAL N° | | COPIA A: | | |
| | | N° COPIE | | |