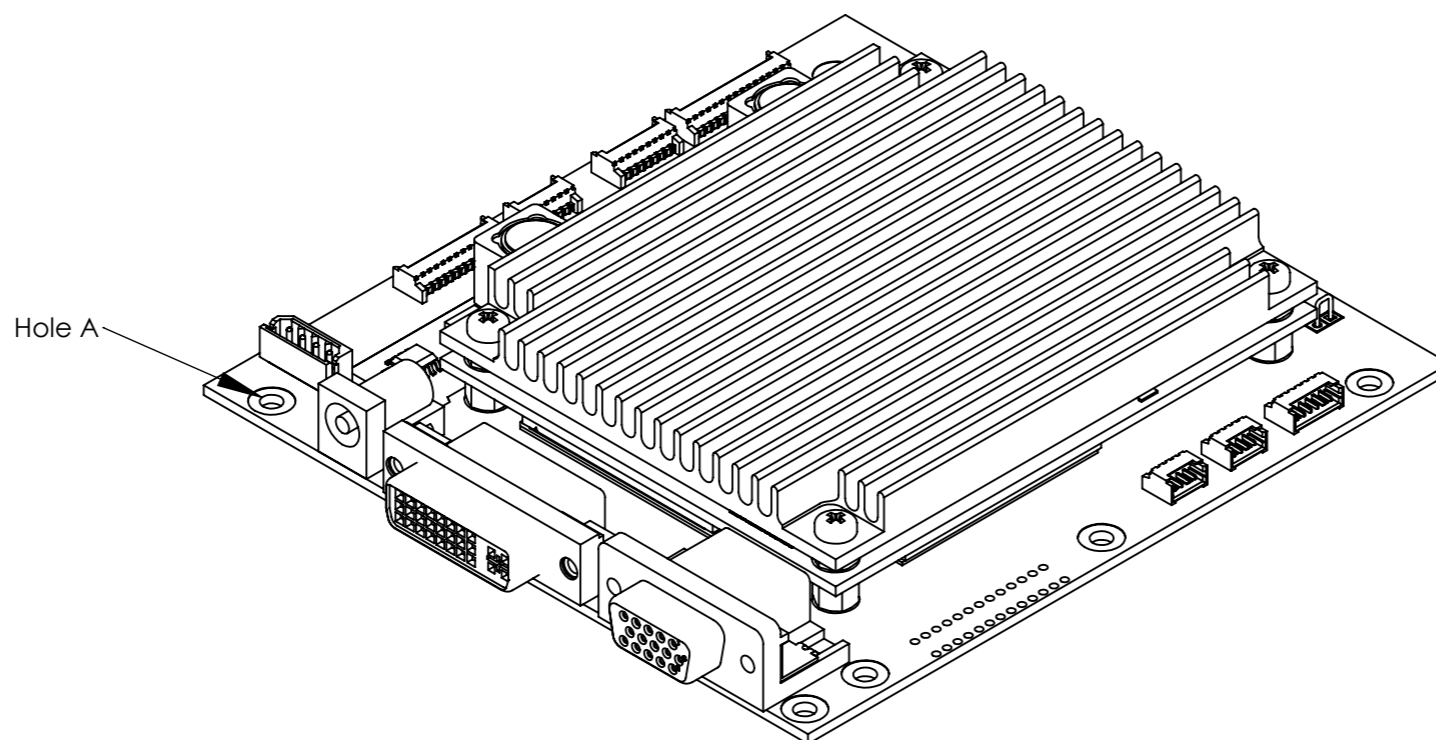
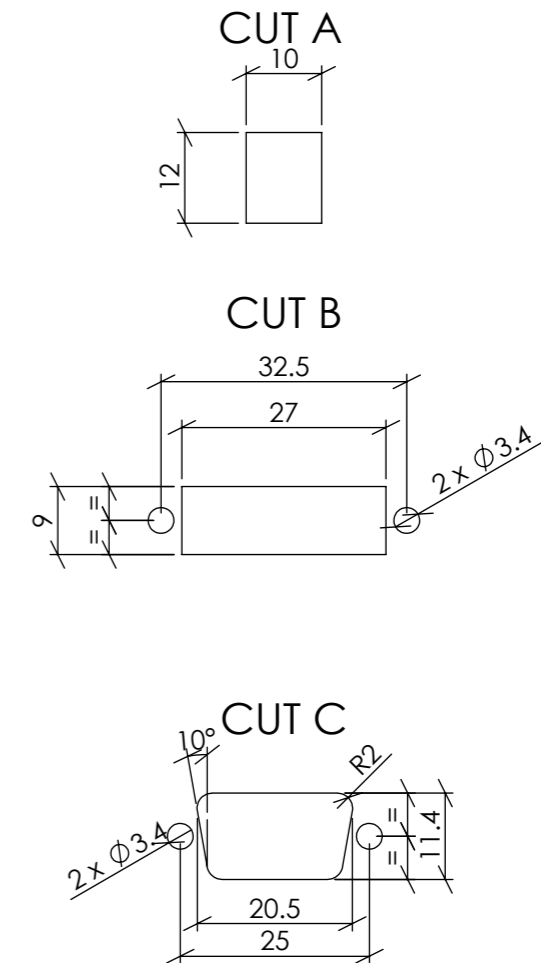
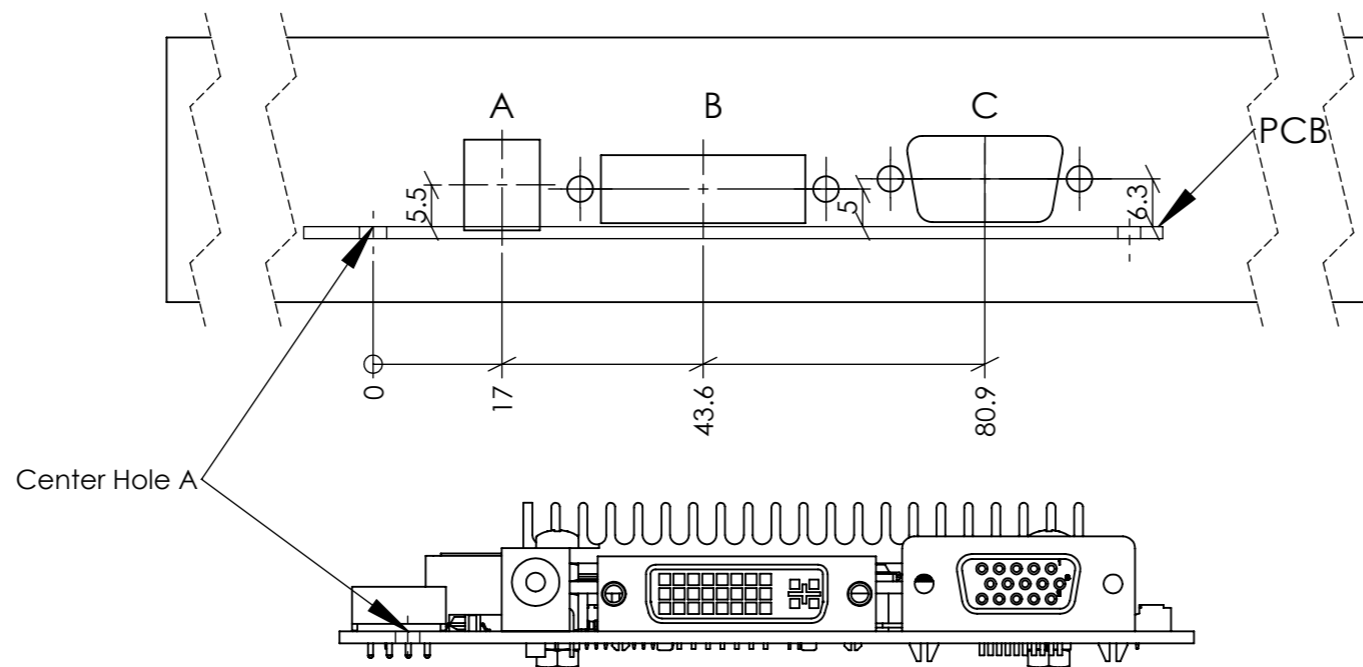


Recommended panel cut out dimension



3-D View

This drawing and the information in it are the property of New Digimatic s.r.l. and can not reproduced, copied, modified or used in part or whole without his permission. All dimensions are read and not misurated and are in millimeters unless otherwise indicated. For more information please contact New Digimatic s.r.l..

		DATA 28/02/2012	
		DESCRIZIONE VIN338_BSC Panel cut dimensions	
	NOME	DATA	A3 P/N VIN338BSC-DW4 REV. 0
	DISEGNATO	E. de Paula 28/02/2012	
	CONTROLLATO	A. Galli 28/02/2012	
	APPR. MECC.	E. de Paula 28/02/2012	
	Q.A.		
	DISEGNO N°		SCALA 1:1
	SOSTITUISCE IL N°		UNITA': mm
	SOSTITUITO DAL N°		FOGLIO 1 DI 1
			COPIA A:
			N° COPIE