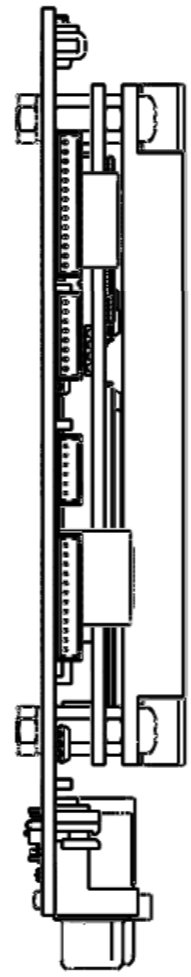
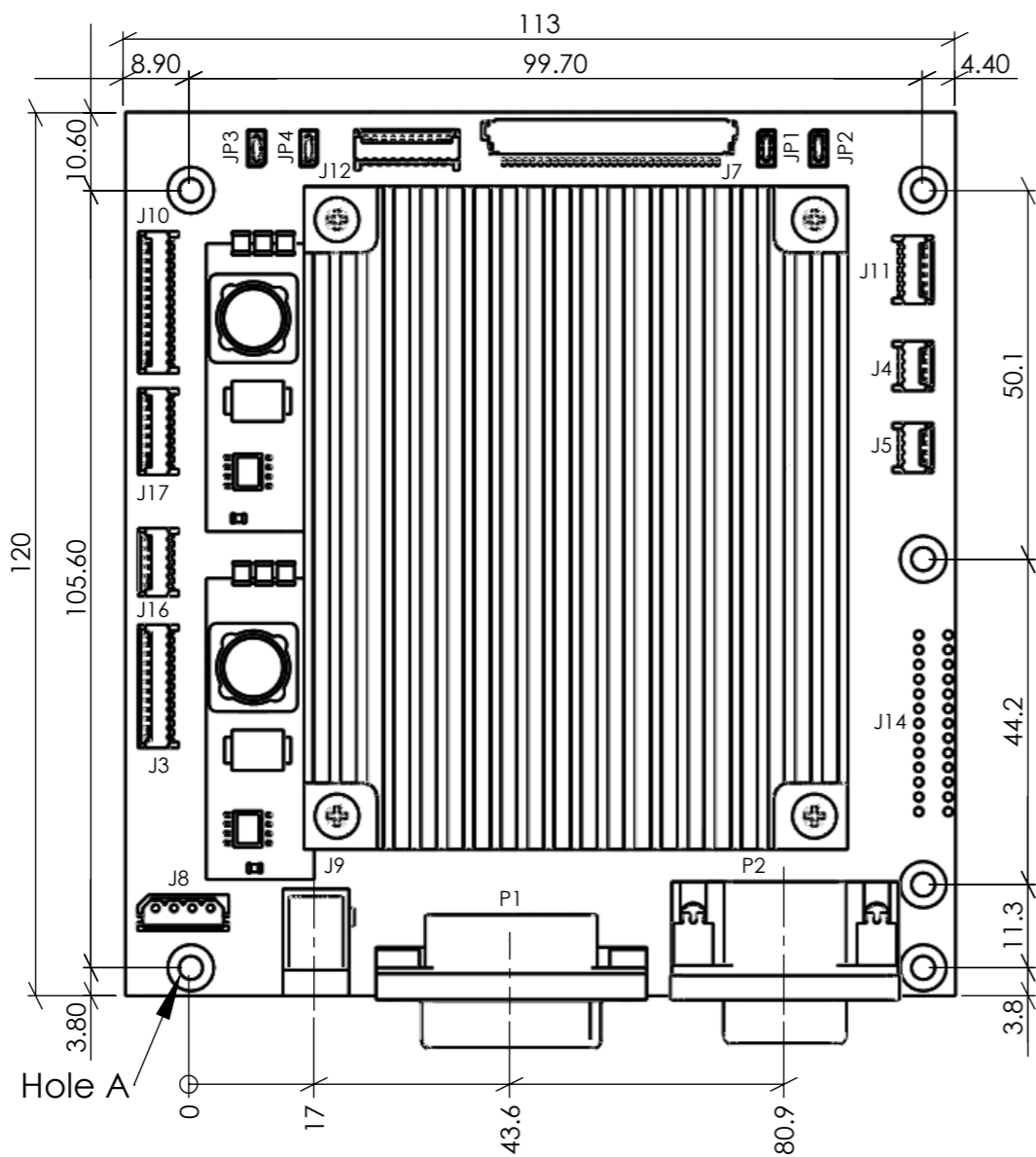
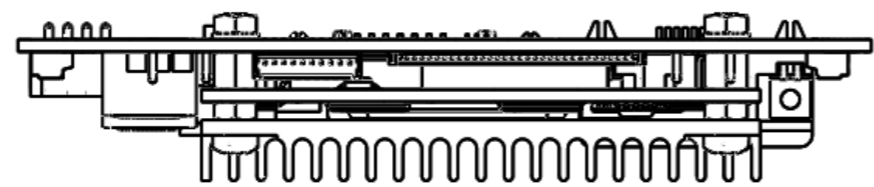


3-D View



N. 4 fixing hole M3



This drawing and the information in it are the property of New Digimatic s.r.l. and can not reproduced, copied, modified or used in part or whole without his permission. All dimensions are read and not misrated and are in millimeters unless otherwise indicated. For more information please contact New Digimatic s.r.l..

		DATA 28/02/2012	
		DESCRIZIONE VIN8028_BSC Mechanical dimensions	
	NOME	DATA	REV.
DISEGNATO	E. de Paula	28/02/2012	0
CONTROLLATO	A. Galli	28/02/2012	
APPR. MECC.	E. de Paula	28/02/2012	
Q.A.			
DISEGNO N°		SCALA 1:1	UNITA': mm
SOSTITUISCE IL N°		FOGLIO 1 DI 1	
SOSTITUITO DAL N°		COPIA A:	
		N° COPIE	